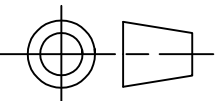
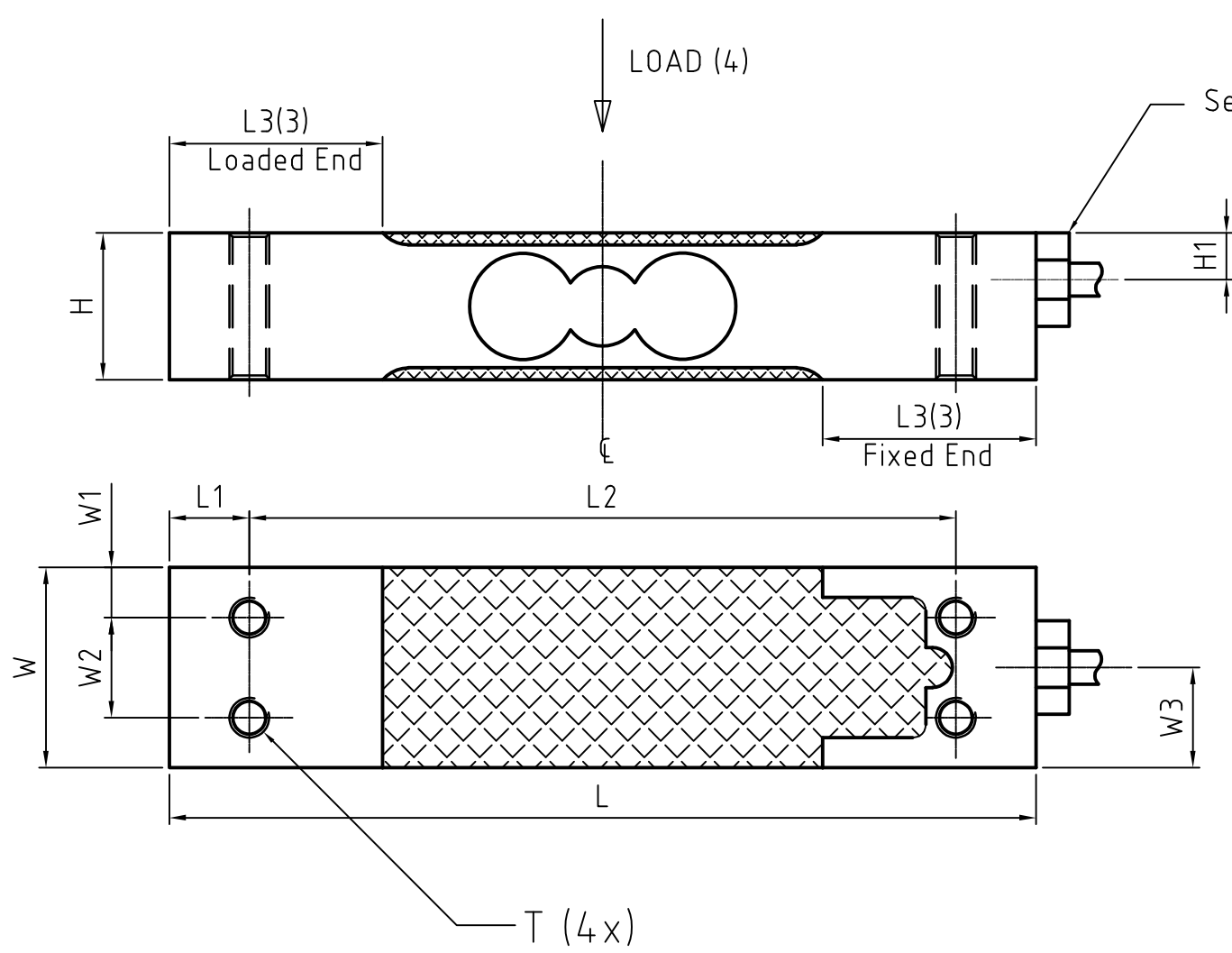


Model	Capacity	Dimensions And Locations												
		H	H1	L	L1	L2	L3(3)	T	W	W1	W2	W3	Deflection (6)	
MT1022	3-7kg [6.6-15.4lb]	22 [0.87]	6 [0.24]	130 [5.12]	12 [0.47]	106 [4.17]	25 [0.98]	M6	25.4 [1.00]	5.2 [0.20]	15 [0.59]	12.7 [0.50]	0.8 [0.031]	
	10-30kg [22-66.1lb]						32 [1.26]						0.4 [0.016]	
SLP530	6-10kg [13-22lb]		7 [0.28]						25 [0.98]	30 [1.18]		7.5 [0.30]	15 [0.59]	0.6 [0.024]
	30kg [66.1lb]								32 [1.26]					0.3 [0.012]



Cable termination
+Exe: Green -Exe: Black
+Sig: Red -Sig: White
Shield: Yellow



See note (5)

- Notes:
- 1 Dimensions are in mm [inches].
 - 2 Standard cable length is 1m (3.3ft).
 - (3) Spacer/mounting surface length.
 - (4) Ideal loading & platter-center point on this axis.
 - (5) Cable-entry fitting on SSP1022 only.
 - (6) Nominal deflection at Rated Capacity (Emax).
 - 7 Nominal cable diameter =5.0 [0.20].

METTLER TOLEDO		MTCZ	Drawn	Tang, Jianhua	20-Nov-2006	Scale	1:1
		CN-213022 ChangZhou	Change	Zhang, Jie	12-May-2022	Format	mt_A3
Refer to protection notice ISO 16016 / Schutzvermerk ISO 16016 beachten			Note	-		Replaces	-
Description 外形尺寸图 MT1022/SLP530			ERP NO.	72200868		ERP Rev	C
GDL MT1022/SLP530			Status:Approved	Mass:		Units:mm	1/1
External Design No.:D000720452		External Design Rev.:C				AutoCAD Mechanical Template V0.2	

REV / CHG	ZONE	DESCRIPTION	BY	APPVD	AGENCY	E.R. No.	DATE
C	A3,A5	Change L3, Deflection	Zhang, Jie	Xu, Lei		500000130639	2022/05/12

RECORD OF CHANGES